

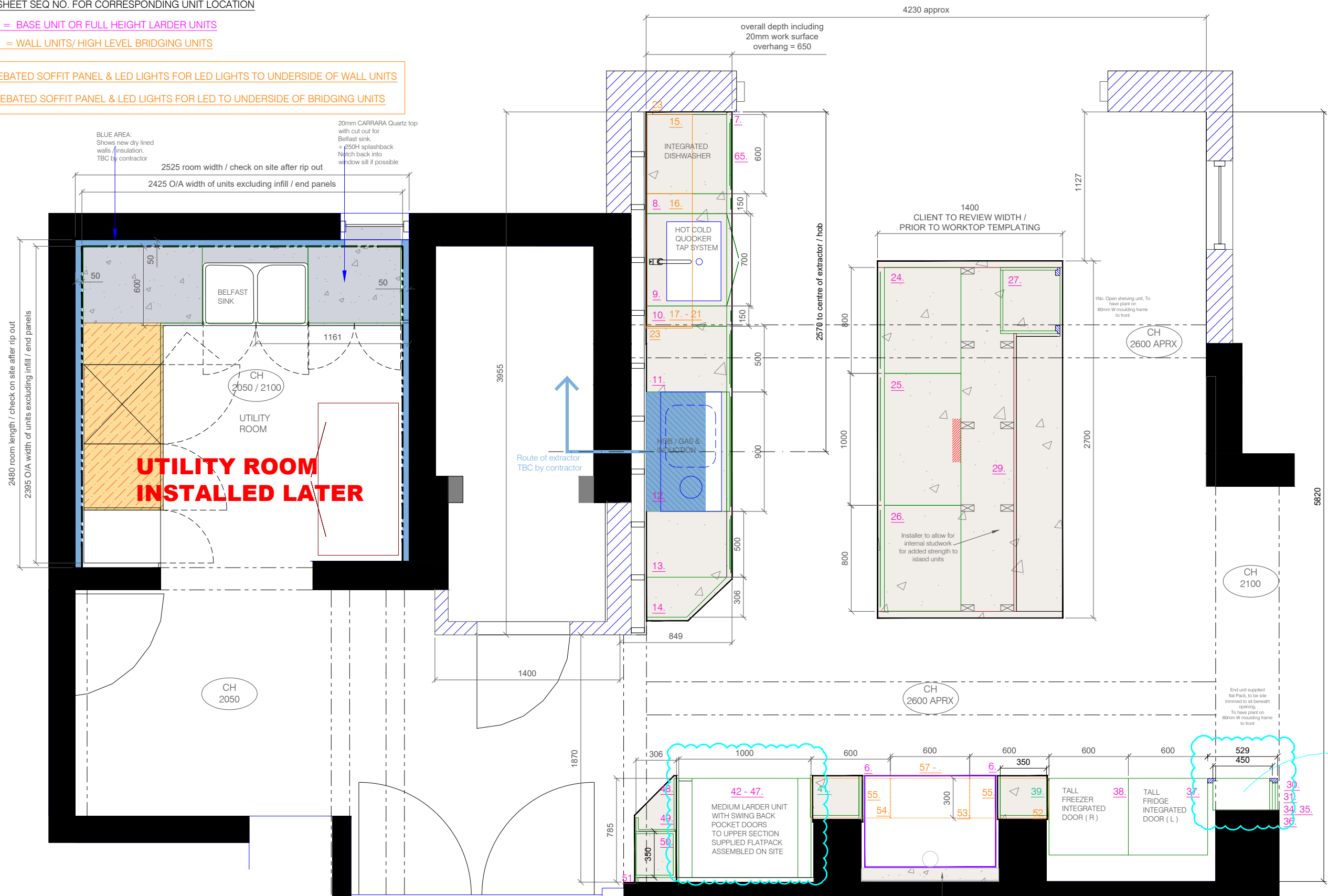
REFER TO DELIVERY SHEET SEQ NO. FOR CORRESPONDING UNIT LOCATION

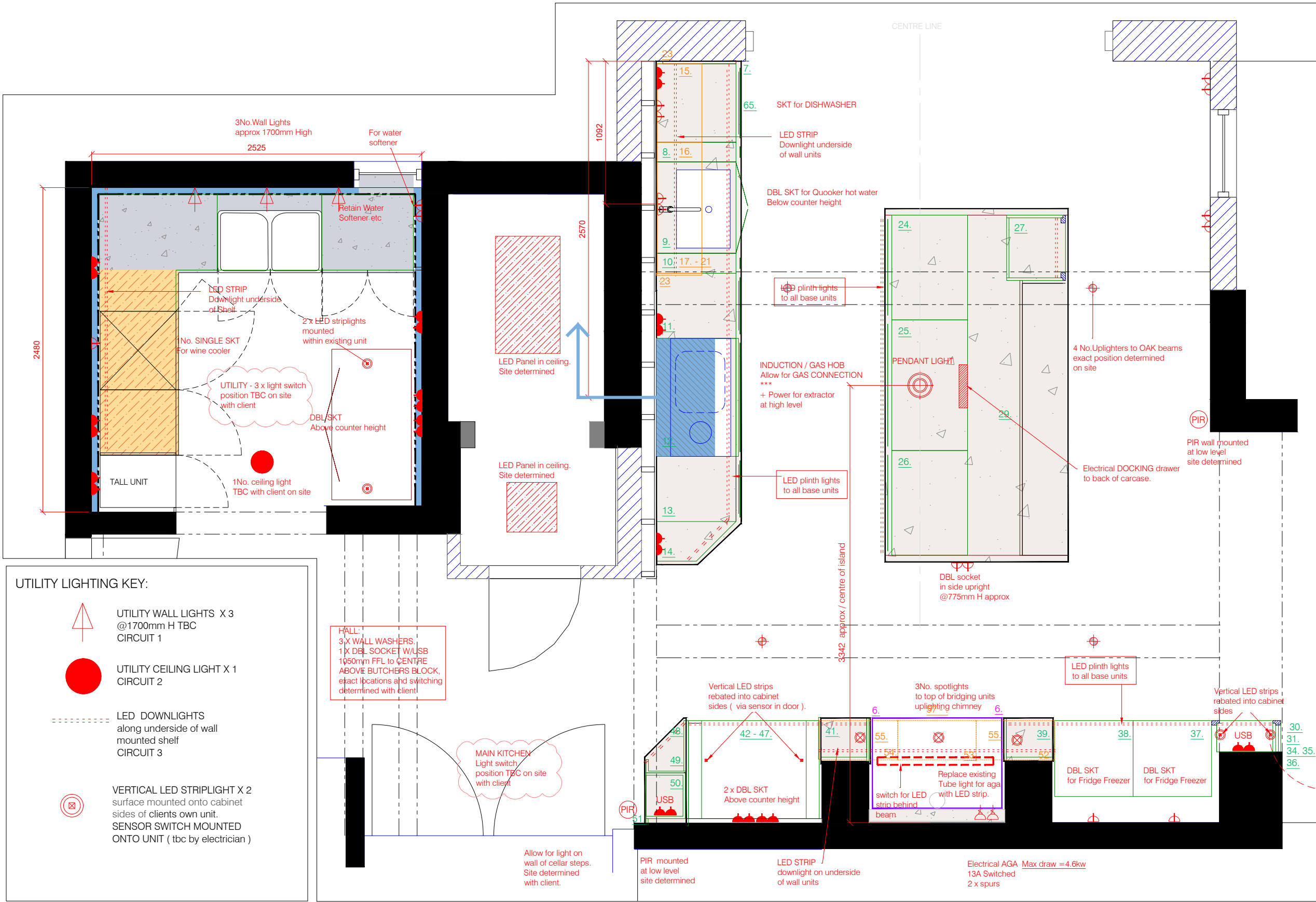
MAGENTA NUMBERS = BASE UNIT OR FULL HEIGHT LARDER UNITS

ORANGE NUMBERS = WALL UNITS/ HIGH LEVEL BRIDGING UNITS

17, 18, 19, 20, 21. - REBATED SOFFIT PANEL & LED LIGHTS FOR LED LIGHTS TO UNDERSIDE OF WALL UNITS

57, 59, 60, 61, 62 - . REBATED SOFFIT PANEL & LED LIGHTS FOR LED TO UNDERSIDE OF BRIDGING UNITS





### KITCHEN LIGHTING ELECTRICITY LAYOUT KEY:

- SINGLE socket  
300mm FFL to centre
- DBL socket  
300mm FFL to centre  
775mm - island
- DBL socket  
1050mm FFL to centre
- USB** DBL socket  
w/ USB PORT
- ELEC CONNECTION FOR EXTRACTOR.  
1650mm High TBC on site
- 2 x spurs for AGA
- KITCHEN PENDANT LIGHT X 1  
CIRCUIT 1
- Directional SPOT LIGHTS  
to roof beams x 4  
CIRCUIT 2
- SPOT UPLIGHTS X 3.  
TO TOP OF BRIDGING UNITS  
CIRCUIT 3
- LED SOFFIT DOWNLIGHTS  
along underside of kitchen wall  
units & aga bridging units  
CIRCUIT 4
- LED PLINTH LIGHTS  
along underside of all  
kitchen units  
VIA PIR
- Passive Infrared  
Sensor x 2, suggested  
position shown, TBC wall OR  
ceiling mounted  
TBC on site.
- \*\*\*\*Allow for switch on  
circuit to turn off sensor  
activation when client wishes.
- VERTICAL LED STRIPLIGHT X 2  
rebatd into cabinet sides of  
open wall unit  
SWITCH MOUNTED ONTO UNIT
- Electrical docking drawer

### UTILITY LIGHTING KEY:

- UTILITY WALL LIGHTS X 3  
@1700mm H TBC  
CIRCUIT 1
- UTILITY CEILING LIGHT X 1  
CIRCUIT 2
- LED DOWNLIGHTS  
along underside of wall  
mounted shelf  
CIRCUIT 3
- VERTICAL LED STRIPLIGHT X 2  
surface mounted onto cabinet  
sides of clients own unit.  
SENSOR SWITCH MOUNTED  
ONTO UNIT ( tbc by electrician )

**HALL:**  
3 X WALL WASHERS.  
1 X DBL SOCKET W/USB  
1050mm FFL to CENTRE  
ABOVE BUTCHERS BLOCK,  
exact locations and switching  
determined with client

**MAIN KITCHEN:**  
Light switch  
position TBC on site  
with client

Allow for light on  
wall of cellar steps.  
Site determined  
with client.

Vertical LED strips  
rebatd into cabinet  
sides ( via sensor in door ).

3No. spotlights  
to top of bridging units  
uplighting chimney

LED plinth lights  
to all base units

Vertical LED strips,  
rebatd into cabinet  
sides

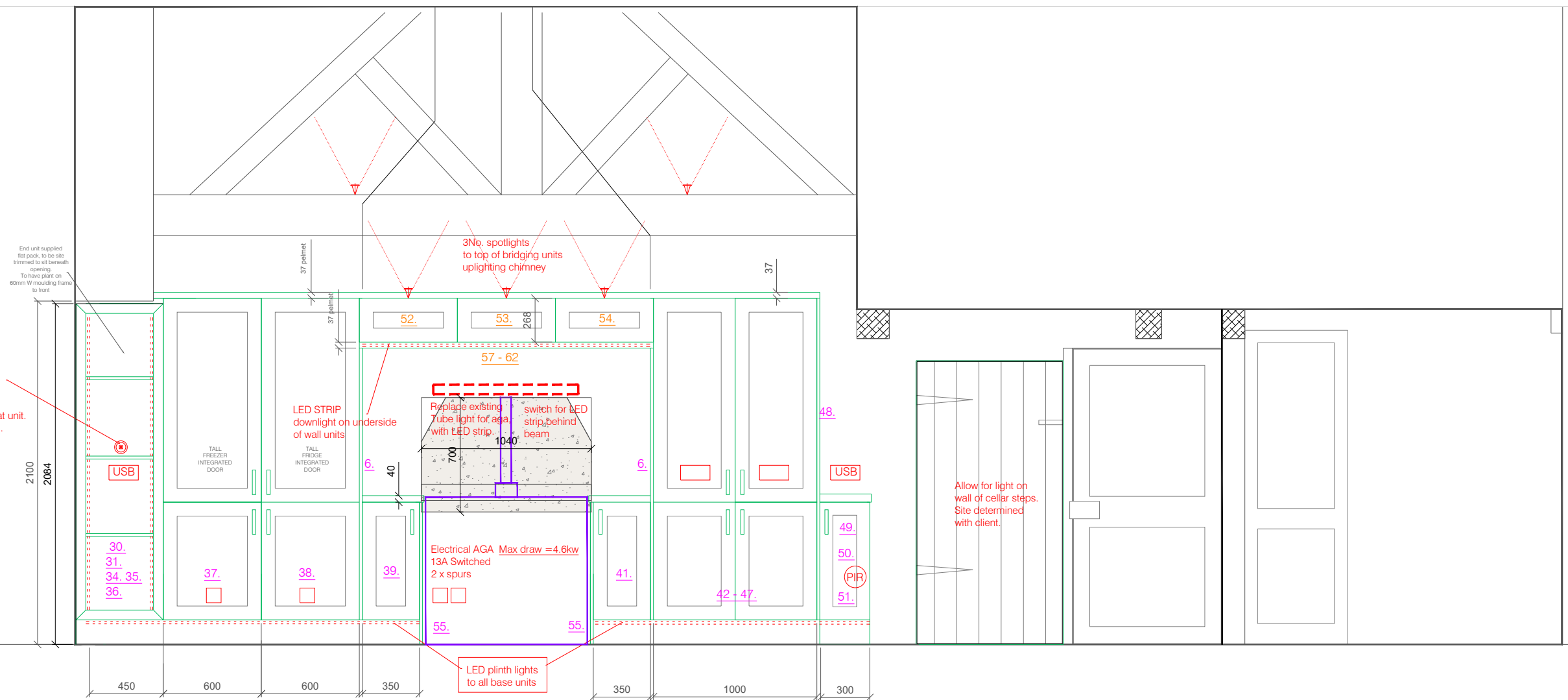
2 x DBL SKT  
Above counter height

Replace existing  
Tube light for aga  
with LED strip.

PIR mounted  
at low level  
site determined

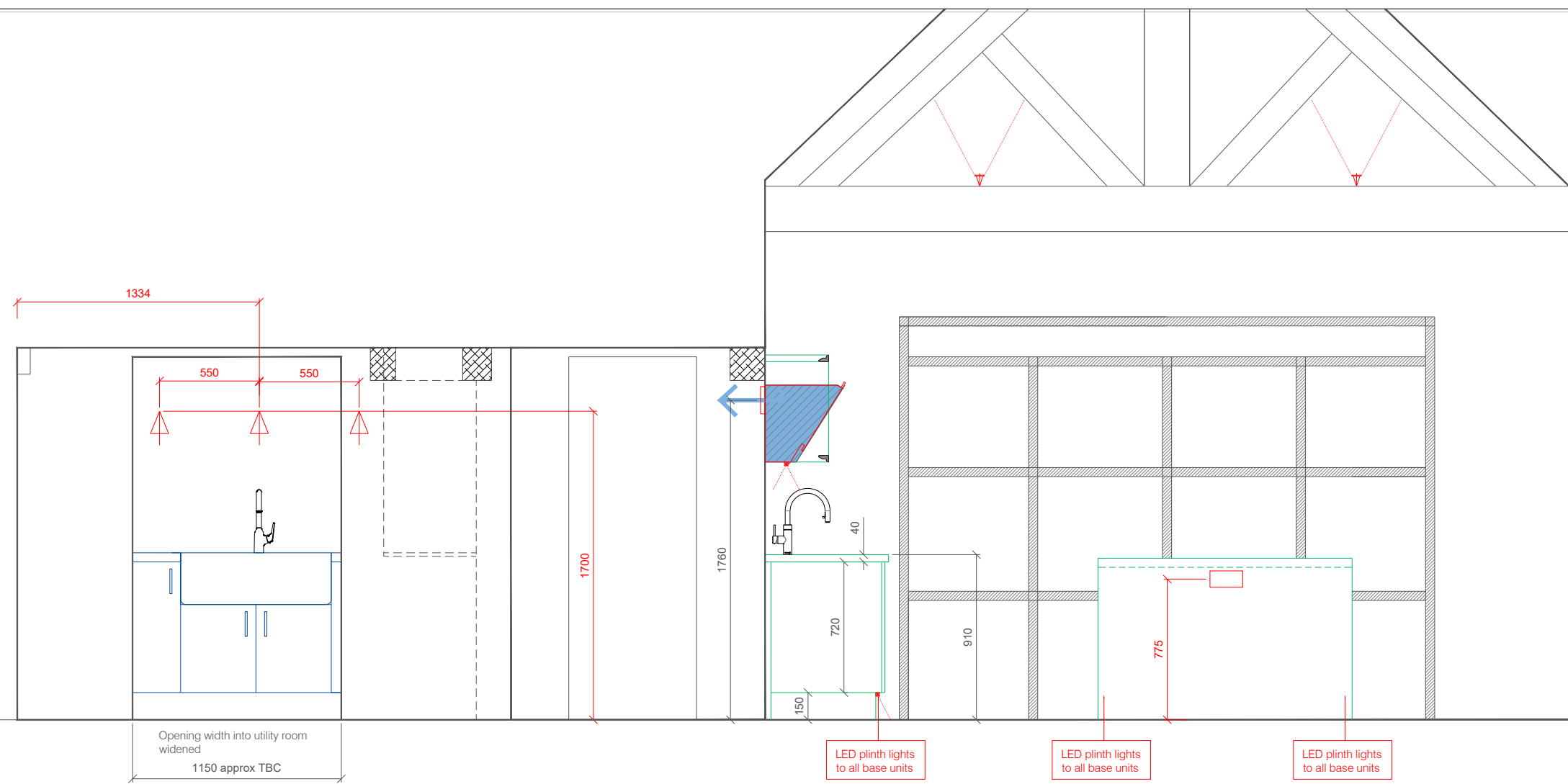
LED STRIP  
downlight on underside  
of wall units

Electrical AGA Max draw = 4.6kw  
13A Switched  
2 x spurs



# ELEVATION A

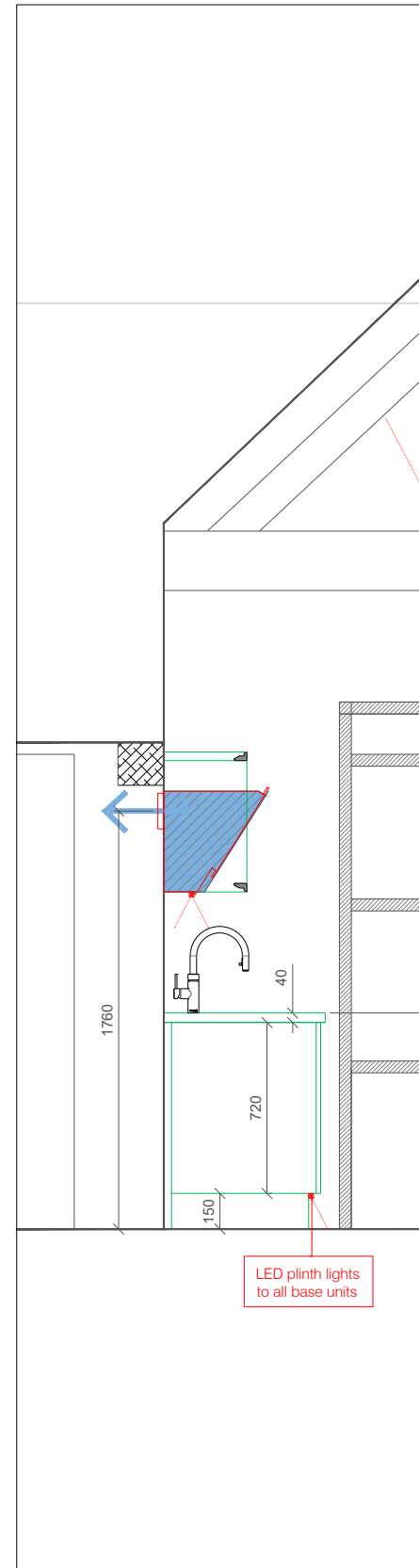
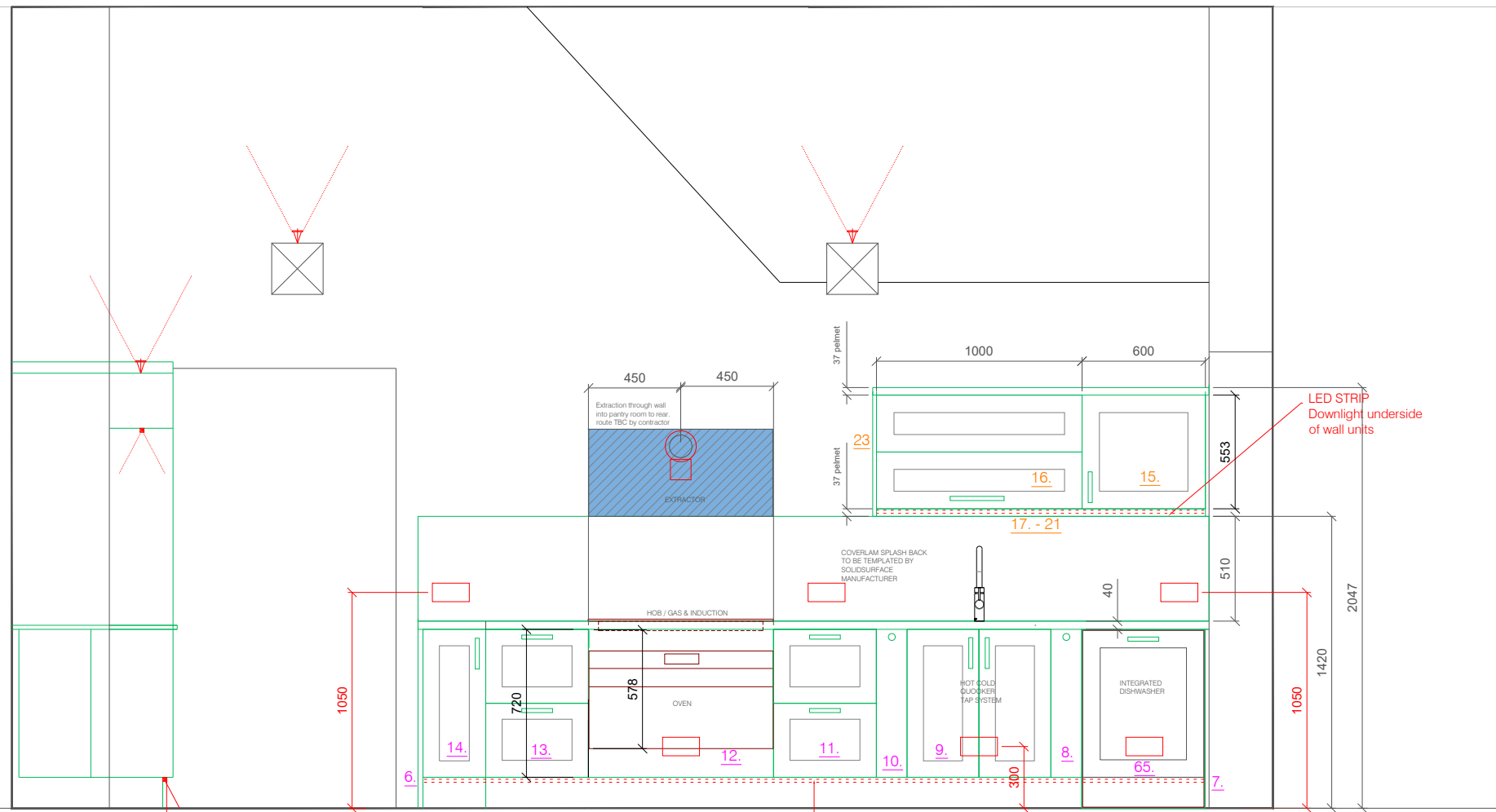
<p>South Oxfordshire Business Centre, Lower Road, Garsington, Oxfordshire, OX44 9DP Tel: 01865 368810 - E: info@instil-design.co.uk</p>	DATE: 08-07-22	PAGE SIZE: A3	DISCLAIMER: These are design drawings only for guidance, all dimensions to be checked on site by contractor. Floor plans and elevations are intended to give a general indication of the proposed layout only. Please check all dimesnions on site. If in doubt please call the showroom 01865 368810. INSTIL DESIGN.				Revision <b>D</b>	UTILITY ROOM UPDATED. 08/09/22
	SCALE: 1/30	DWG TITLE: Elevation A	PROJECT: KITCHEN	DWG No: V02	DRAWN BY: M.E	CLIENT: VEALE		



# ELEVATION B

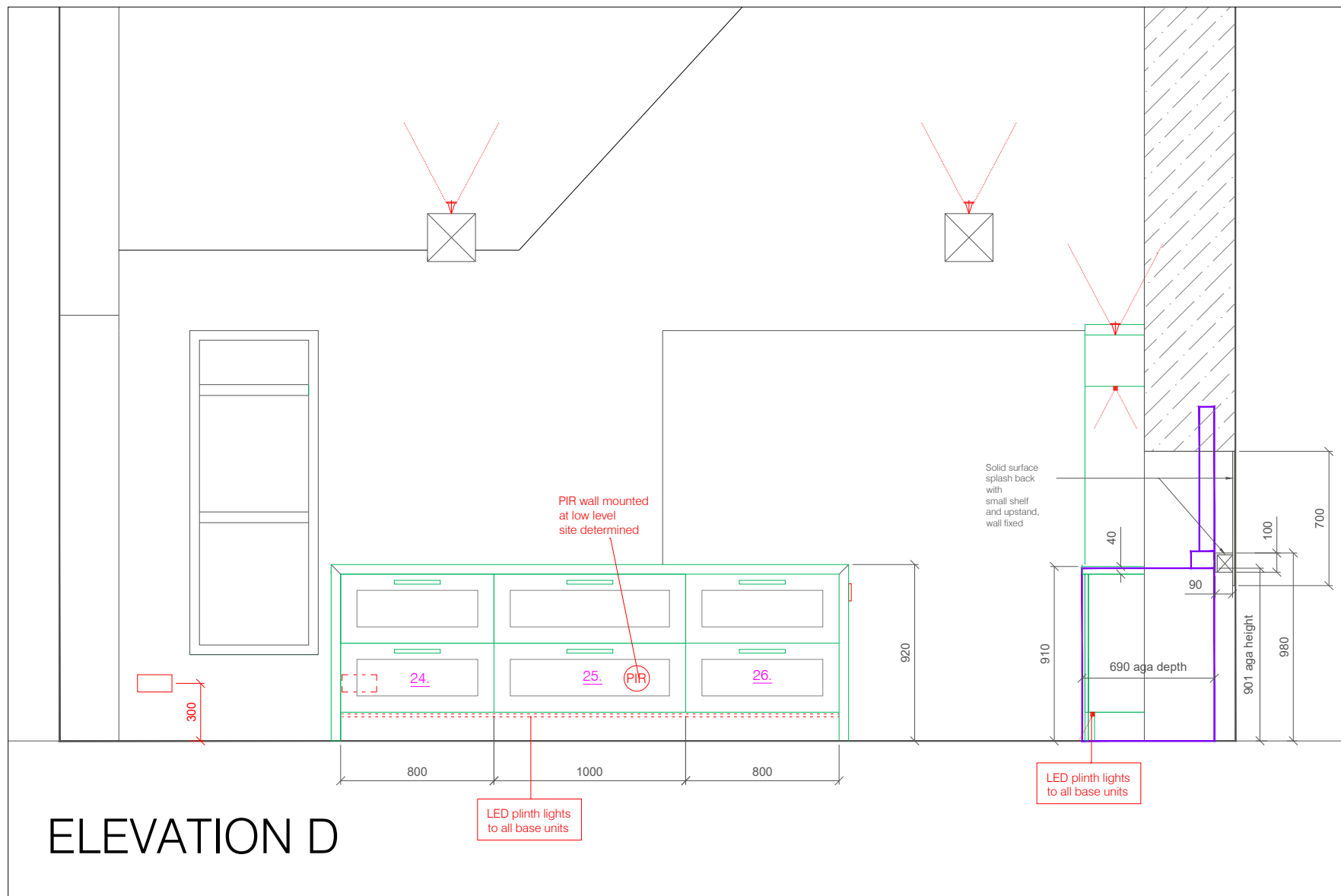
**InStil** ● ● ●  
**DESIGN**  
 South Oxfordshire Business Centre, Lower Road,  
 Garsington, Oxfordshire, OX44 9DP  
 Tel: 01865 368810 - E: info@instil-design.co.uk

DATE: 08-07-22	PAGE SIZE: A3	DISCLAIMER: These are design drawings only for guidance, all dimensions to be checked on site by contractor. Floor plans and elevations are intended to give a general indication of the proposed layout only. Please check all dimensions on site. If in doubt please call the showroom 01865 368810. INSTIL DESIGN.				Revision <b>C</b>	UTILITY ROOM UPDATED. 02/09/22
SCALE: 1/30	DWG TITLE: Elevation B	PROJECT: KITCHEN	DWG No: V02	DRAWN BY: M.E	CLIENT: VEALE		

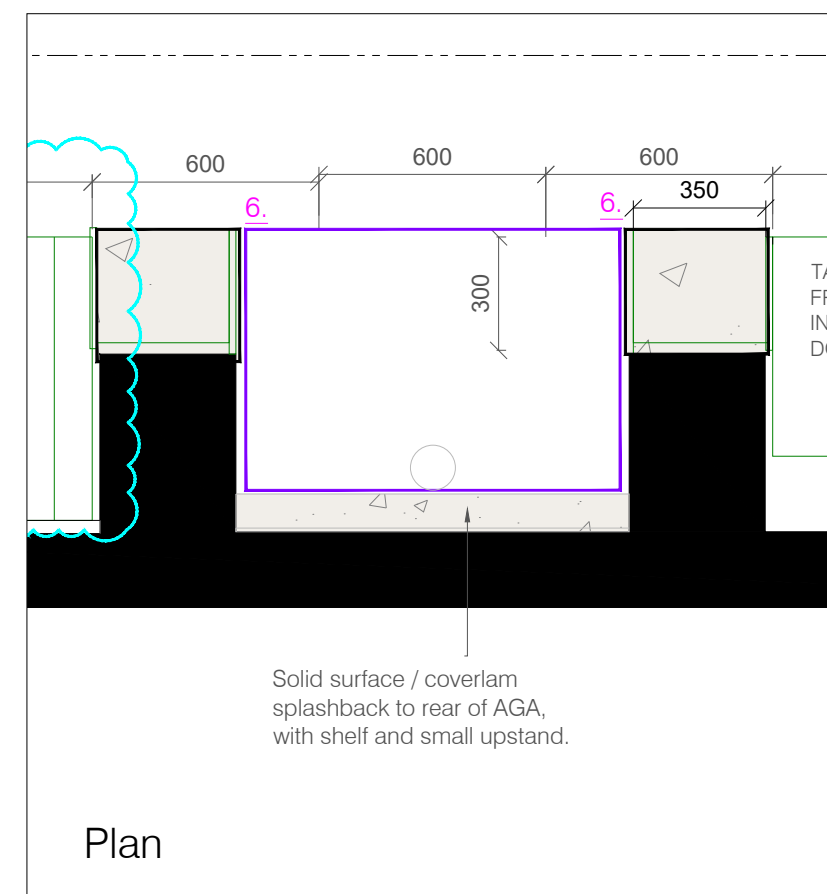
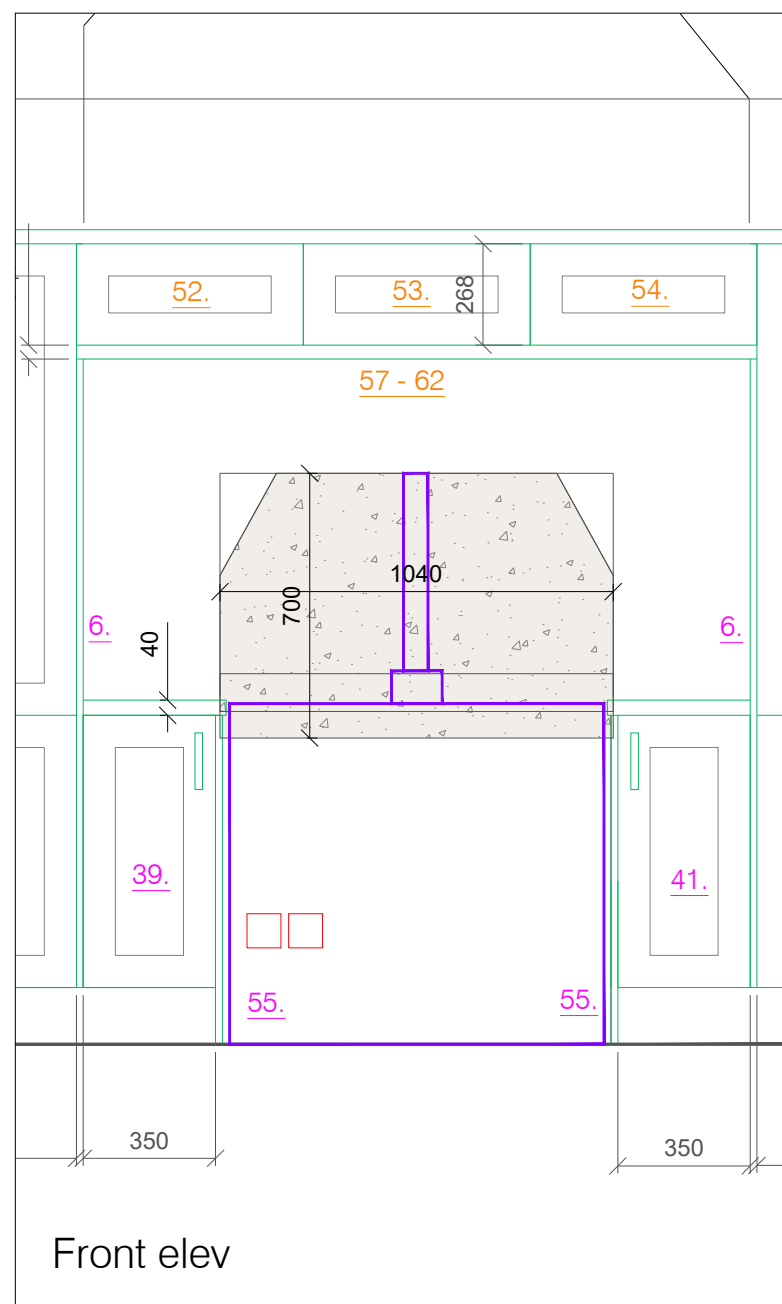
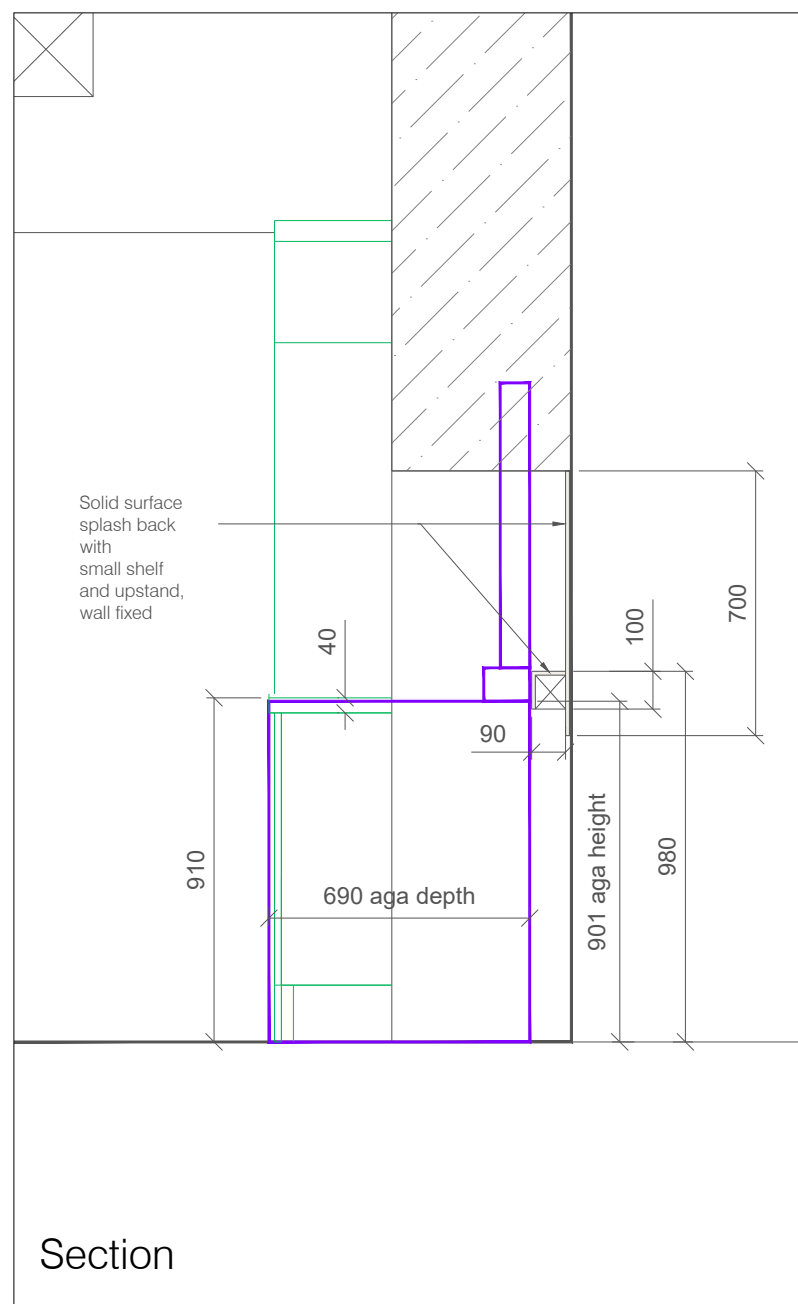


# ELEVATION B


DATE: 08-07-22	PAGE SIZE: A3	DISCLAIMER: These are design drawings only for guidance, all dimensions to be checked on site by contractor. Floor plans and elevations are intended to give a general indication of the proposed layout only. Please check all dimensions on site. If in doubt please call the showroom 01865 368810. INSTIL DESIGN.				Revision <b>D</b>	UTILITY ROOM UPDATED. 02/09/22
SCALE: 1/30	DWG TITLE: Elevation C	PROJECT: KITCHEN	DWG No: V02	DRAWN BY: M.E	CLIENT: VEALE		

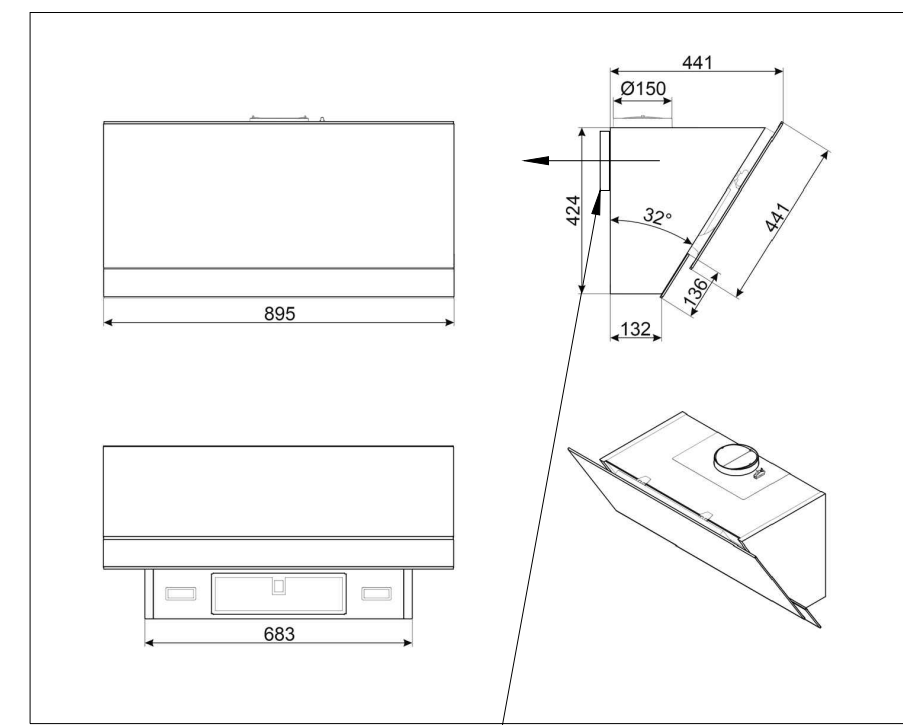
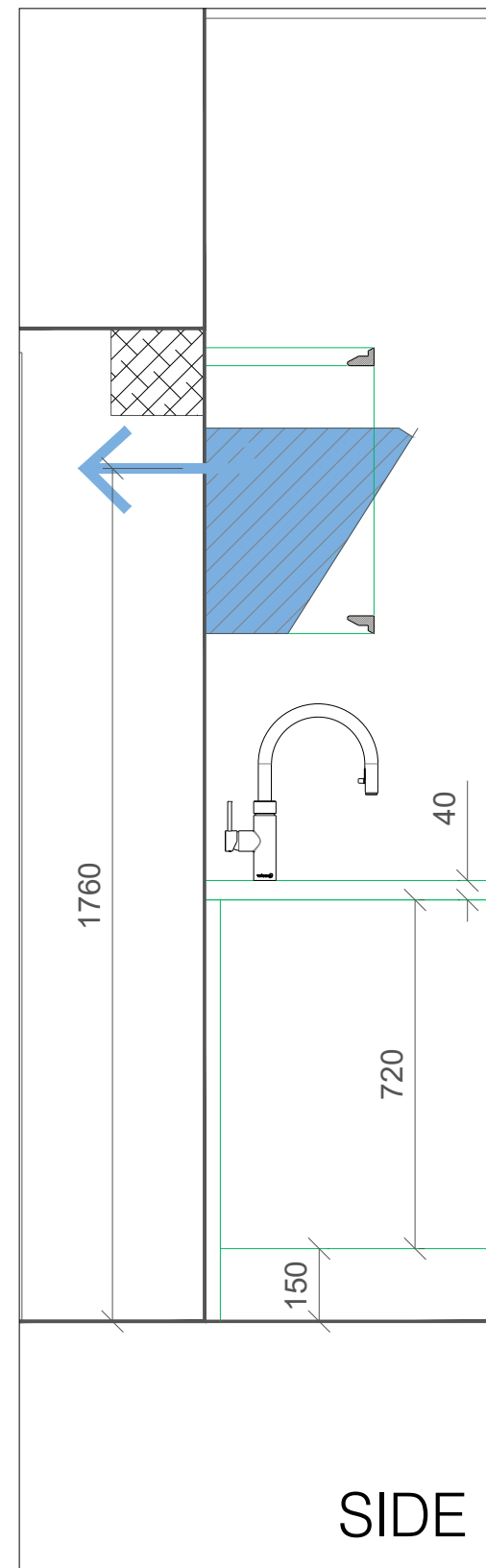
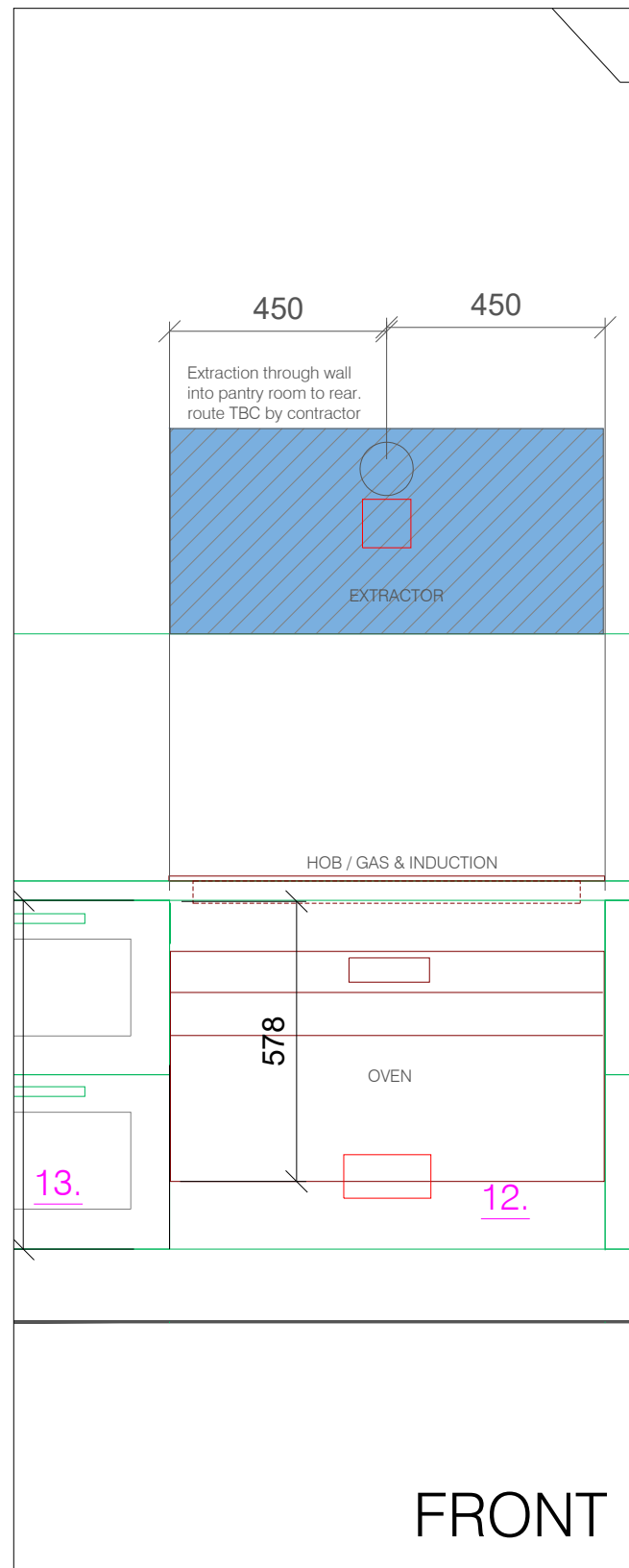
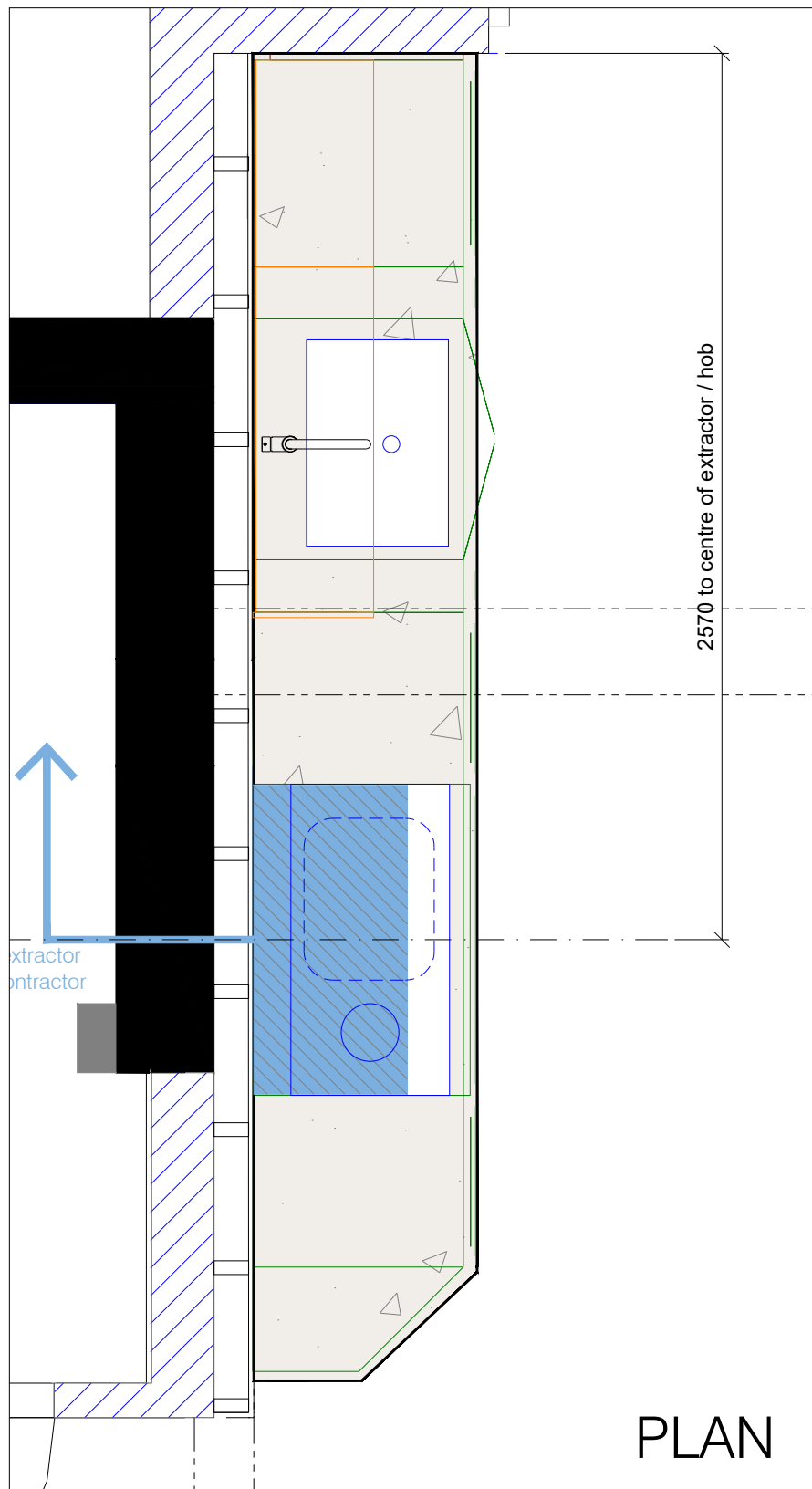


<p>South Oxfordshire Business Centre, Lower Road, Garsington, Oxfordshire, OX44 9DP Tel: 01865 368810 - E: info@instil-design.co.uk</p>	DATE: 08-07-22	PAGE SIZE: A3	DISCLAIMER: These are design drawings only for guidance, all dimensions to be checked on site by contractor. Floor plans and elevations are intended to give a general indication of the proposed layout only. Please check all dimensions on site. If in doubt please call the showroom 01865 368810. INSTIL DESIGN.				Revision <b>C</b>	UTILITY ROOM UPDATED. 02/09/22
	SCALE: 1/30	DWG TITLE: Elevation D & E	PROJECT: KITCHEN	DWG No: V02	DRAWN BY: M.E	CLIENT: VEALE		



## Aga & splash back

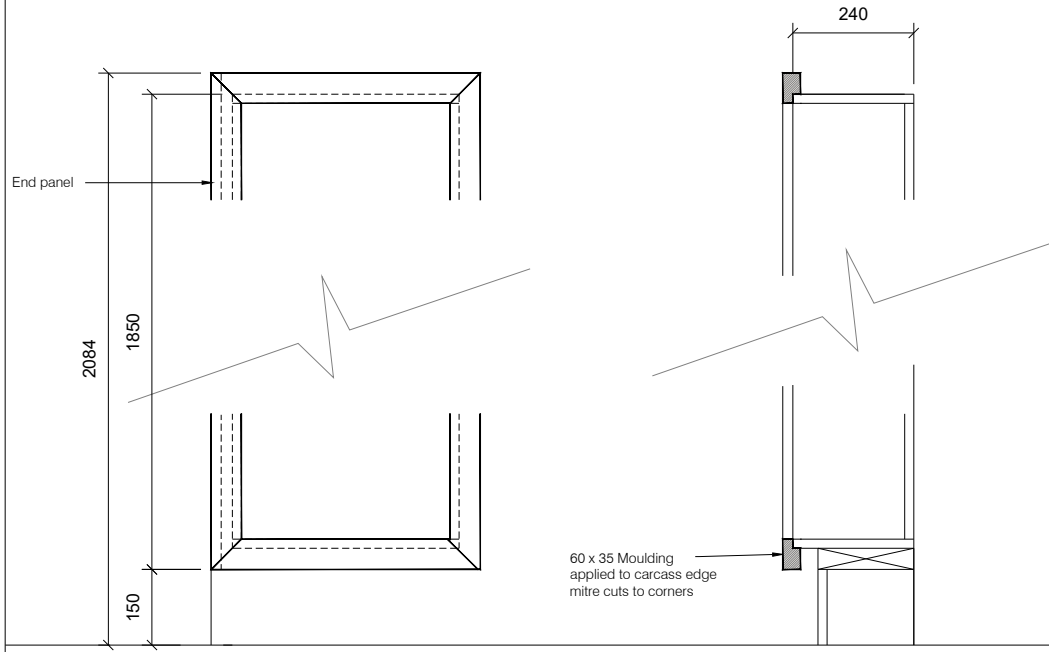
 South Oxfordshire Business Centre, Lower Road, Garsington, Oxfordshire, OX44 9DP Tel: 01865 368810 - E: info@instil-design.co.uk	DATE: 23-08-22	PAGE SIZE: A3	DISCLAIMER: These are design drawings only for guidance, all dimensions to be checked on site by contractor. Floor plans and elevations are intended to give a general indication of the proposed layout only. Please check all dimensions on site. If in doubt please call the showroom 01865 368810. INSTIL DESIGN.			
	SCALE: 1/30	DWG TITLE: Aga details	PROJECT: KITCHEN	DWG No:	DRAWN BY: M.E	CLIENT: VEALE



<p>South Oxfordshire Business Centre, Lower Road, Garsington, Oxfordshire, OX44 9DP Tel: 01865 368810 - E: info@instil-design.co.uk</p>	DATE: 08-07-22	PAGE SIZE: A3	DISCLAIMER: These are design drawings only for guidance, all dimensions to be checked on site by contractor. Floor plans and elevations are intended to give a general indication of the proposed layout only. Please check all dimensions on site. If in doubt please call the showroom 01865 368810. INSTIL DESIGN.				Revision <b>B</b>	UTILITY ROOM UPDATED. 16/08/22
	SCALE: 1:15	DWG TITLE: EX	PROJECT: Extractor location / size	DWG No: Veale V01	DRAWN BY: M.E	CLIENT: VEALE		

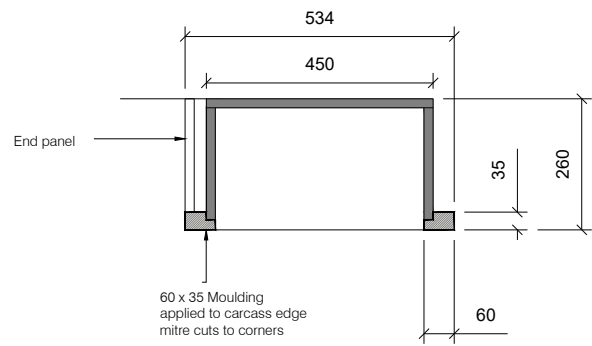
DETAIL SHOWING  
60 X 35 MOULDING  
SET OUT -  
FOR UNIT No. 30.

**\*NOTE\***  
Flat pack unit  
can be site cut / adjusted  
to suit



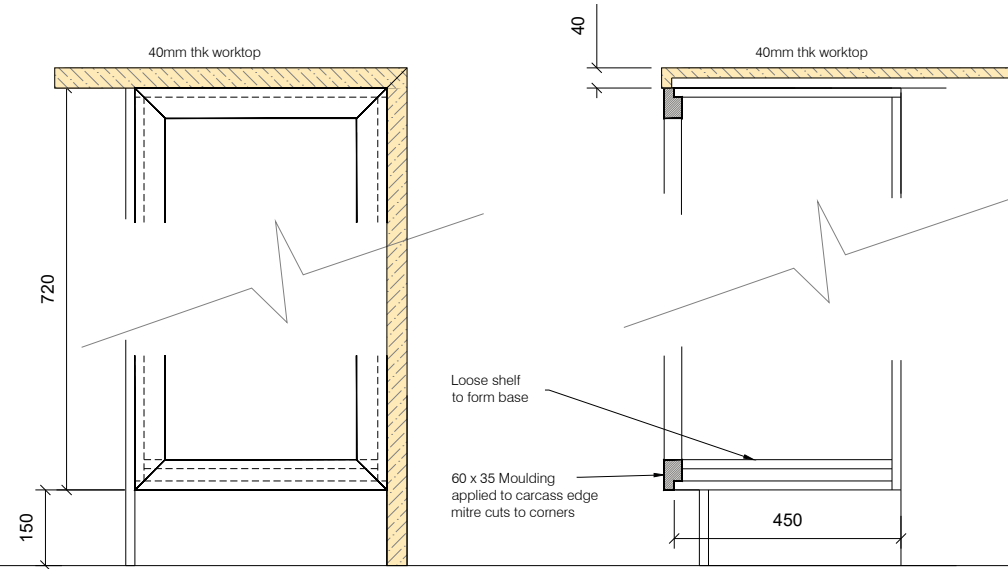
FRONT ELEV

SECTION



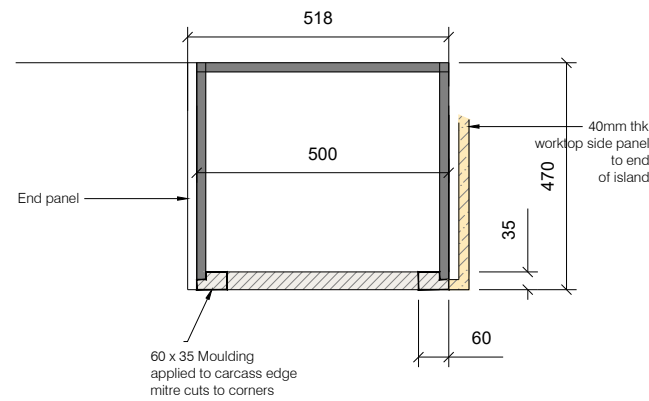
PLAN

DETAIL SHOWING  
60 X 35 MOULDING  
SET OUT -  
FOR UNIT No. 27.



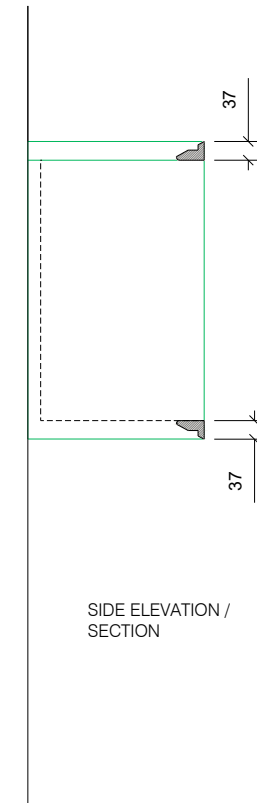
FRONT ELEV

SECTION



PLAN

DETAIL SHOWING  
55 x 37 CORNICE DETAIL  
TO WALL UNITS  
& BRIDGING UNITS



SIDE ELEVATION /  
SECTION